

# 635 Vertical Freezer

**Models**  
F310L F310R  
N308L N308R  
N388L N388R

**Series**  
B & D





## PRODUCTS

**Brand** Fisher & Paykel, Frigidaire, Kelvinator, Shacklock

**Voltage** 220-240V 50Hz, 100V 50/60Hz\*, 110-115V 60Hz+, 220V 60Hz

<b>Model</b>	<b>Code</b>									
F310L	B	11152	11418	11419	11420	11421	11433*	11436	11576	11577
		11599								
F310R	B	11422	11423	11600	11668*					
N308L	B	11079	11140	11149	11150	11153	11424	11438	11439	11440
		11441	11489	11556	11601					
	D	11959	11961	12015	12437	20139	20140			
N308R	B	11075	11141	11425	11602	11664+				
	D	11956*	11962+	12016	12415	20141+	20153*			
N388L	B	11078	11142	11486	11603					
	D	12017								
N388R	B	11115	11143	11575	11604					
	D	12018								

Fisher & Paykel Customer Services  
 PO Box 798  
 19 Enterprise St  
 Cleveland, Queensland 4163  
 Australia  
 Tel: (07) 3826 9122  
 Fax: (07) 3826 9164  
 Email: parts@fp.com.au  
 A.C.N 003 335 171

Fisher & Paykel Appliance Ltd  
 Appliance Spare Parts  
 PO Box 14-148, Panmure.  
 80 Springs Rd, East Tamaki  
 New Zealand  
 Tel: (09) 272 0261  
 Fax: (09) 272 0219  
 Email: parts@fp.co.nz



## CONTENTS

DOOR ASSEMBLY .....	6
CABINET AND COMPONENTS.....	8
FAN AND EVAPORATOR ASSEMBLY .....	10
COMPRESSOR AND BACK PANEL.....	14
NOTES.....	19
REFRIGERATION ABBREVIATION KEY .....	20

### GUIDE TO USING THIS MANUAL

The model(s) and/or series covered by this manual are listed on the front cover.

The information detailed in this manual is subject to change without notice, the latest version is indicated by the reprint date and replaces any earlier editions.

The front cover picture shows the type of product and may not necessarily be an exact image of the models covered by the manual.

#### Part References

Where a Model is shown, the part is exclusive to the Model(s) stated. Common parts relating to a part reference are applicable to all other Model(s) which use the particular item.

#### Kit Parts

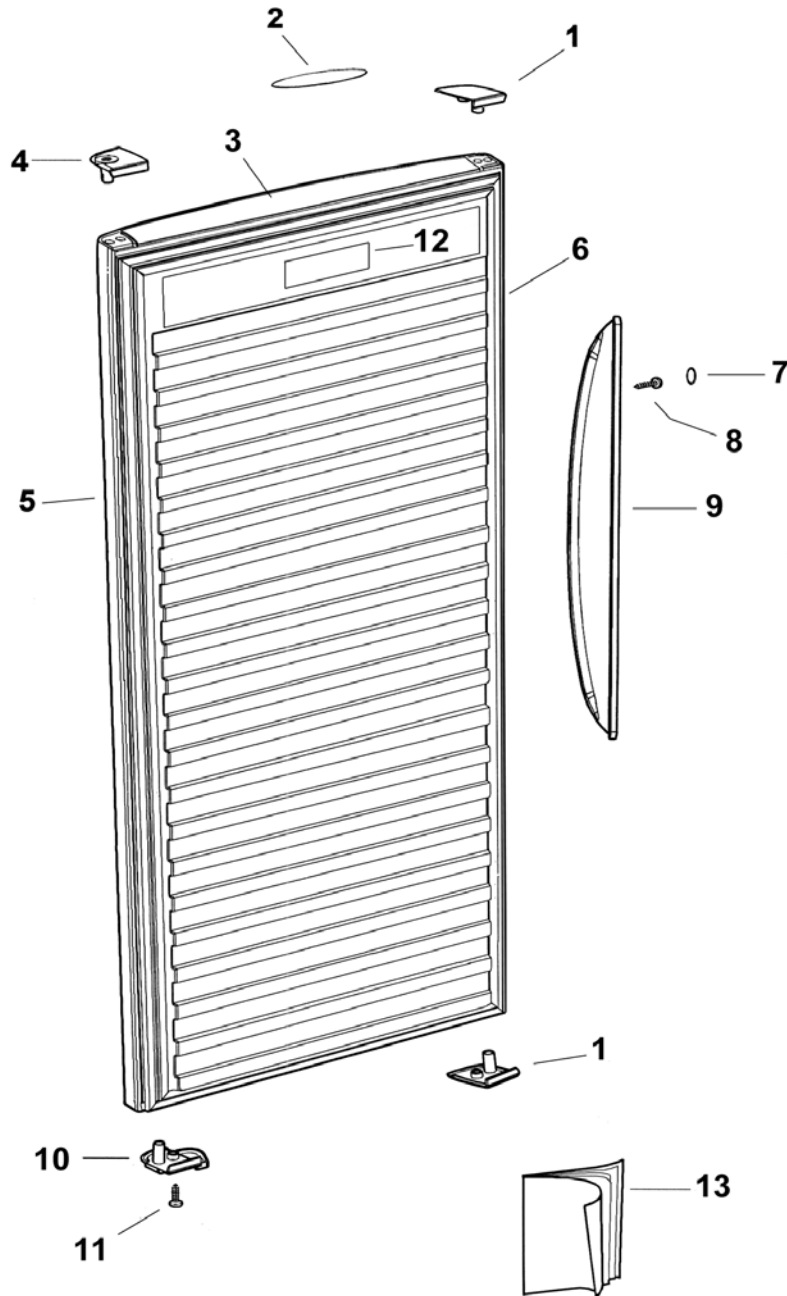
The components shown in *italics* are those parts in the kit which are available also as separate items. In addition, some parts may be supplied with this kit which are not available as separate items and are therefore not listed in this manual.

All details relating to Technical Bulletins or Notes are shown on a dedicated page. The Technical Bulletin Number shown relates to the bulletin version which is produced for the Global Service Centres.

#### Parts List Key

NOT USED	As a part, indicates the diagram part reference is not used in this manual.
#	Beside the part number, indicates the part is no longer available.
<i>italics</i>	Kit components shown in <i>italics</i> are also available separately.
*	Indicates a technical bulletin or note exists for the part or part reference.
NI	As a part reference, indicates the part is not illustrated on the diagram.

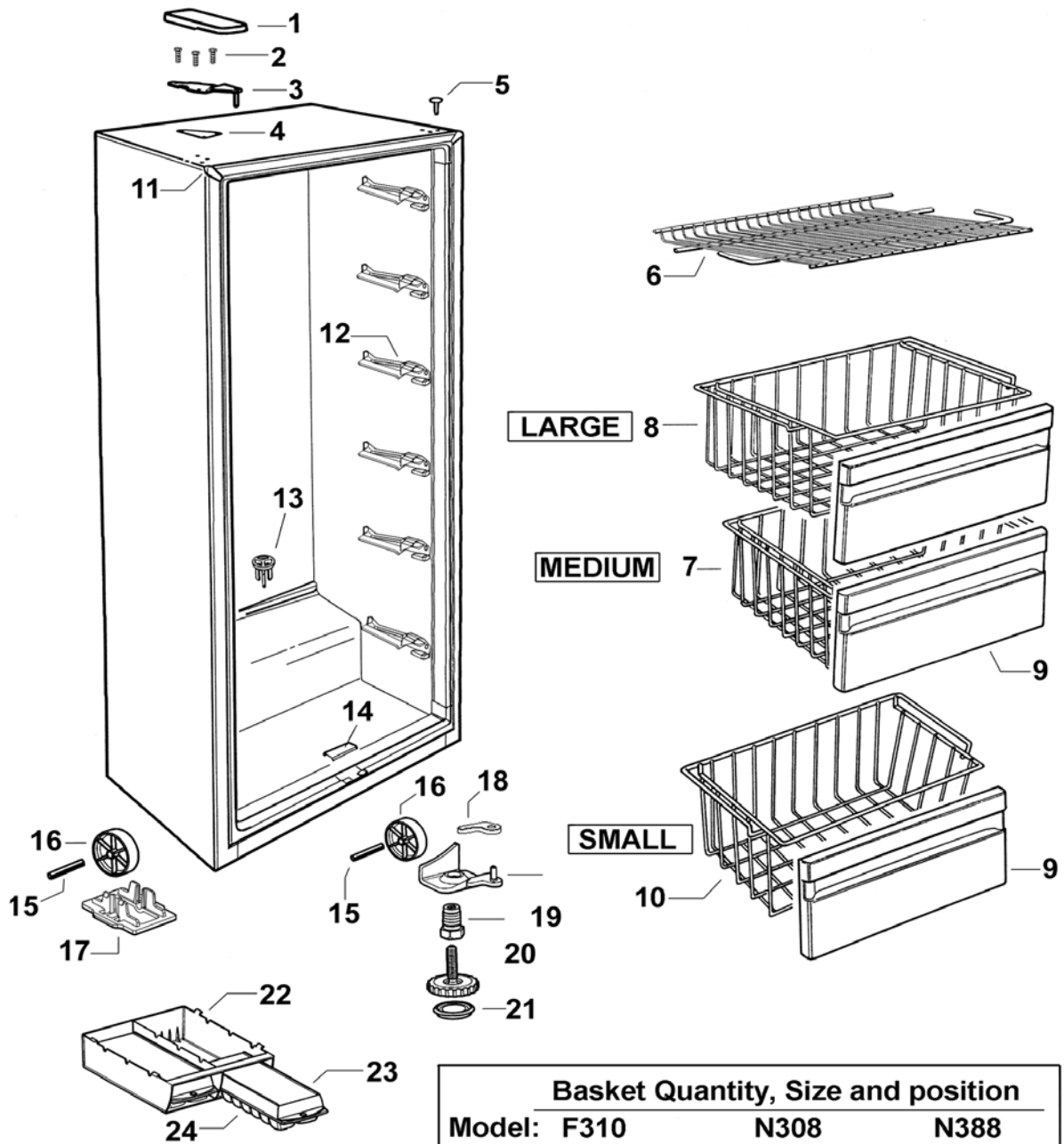
# DOOR ASSEMBLY



## DOOR ASSEMBLY

REF	PART	DESCRIPTION	MODEL
1	883715	COVER HGE DR RHT/LHB WH LIP 635	
	883716	COVER HGE DR LHT/RHB WH LIP 635	
	883719	COVER HGE DR RHT/LHB SA LIP 635	
	883720	COVER HGE DR LHT/RHB SA LIP 635	
2	883848	NAMEPLATE SHACK was 881056	
	883793	NAMEPLATE KELV EXPORT was 881478	
	883793	NAMEPLATE FRIG EXPORT was 881479	
	883793	NAMEPLATE F&P	
3	883670	CAP DOOR END OUTER WH 635	
	883673	CAP DOOR END OUTER SA 635	
4	883658	BEARING HINGE RH WH LIP 635	
	883659	BEARING HINGE LH WH LIP 635	
	883662	BEARING HINGE RH SA LIP 635	
	883663	BEARING HINGE LH SA LIP 635	
5	* 311023P	DOOR FC WH635X1381 BS F310,N308	F310, N308L/R
	874706	LABEL FREEZER GUIDE RF BLUE	
	883670	CAP DOOR END OUTER WH 635	
	312027P	DOOR FC SA635X1381 BS F310,N308	F310, N308L/R
	874706	LABEL FREEZER GUIDE RF BLUE	
	883673	CAP DOOR END OUTER SA 635	
	311027P	DOOR FC WH635X1651 BS N388	N388L/R
	874706	LABEL FREEZER GUIDE RF BLUE	
	883670	CAP DOOR END OUTER WH 635	
	312031P	DOOR ASSY FC SA SA END CAP	N388L/R
	874706	LABEL FREEZER GUIDE RF BLUE	
	883673	CAP DOOR END OUTER SA 635	
6	883066P	GASKET FC LTGY PUSHIN 635X1354	F310, N308
	883067P	GASKET FC LTGY PUSHIN 635X1626	N388
7	881075	CAP HANDLE SCREW WHITE	
	881091	CAP HANDLE SCREW SILVER	
8	* 880654	SCREW M4X10 TRUSS PH SS	
	SP0008	SCREW 6X12 AB TRUSS PH ST ZP	
9	881039	HANDLE DOOR SINGLE WHITE	
	881090	HANDLE DOOR SINGLE SILVER	
10	881453	BEARING DR CLOSING RH WH 635	
	881454	BEARING DR CLOSING LH WH 635	
	881457	BEARING DR CLOSING RH SA 635	
	881458	BEARING DR CLOSING LH SA 635	
11	881044	SCREW 8X22 WAFER PHIL STZP	
12	874706	LABEL FREEZER GUIDE RF BLUE	
13	884048	BOOKLET USE & CARE ACTV SMT/525/V FZR	
	878428	LEAFLET WARRANTY EXPORT	
	883881	LEAFLET WARRANTY NZ/AUST	
	479314	CARD WARRANTY REGISTRATION ALL PRODUCTS	

## CABINET AND COMPONENTS



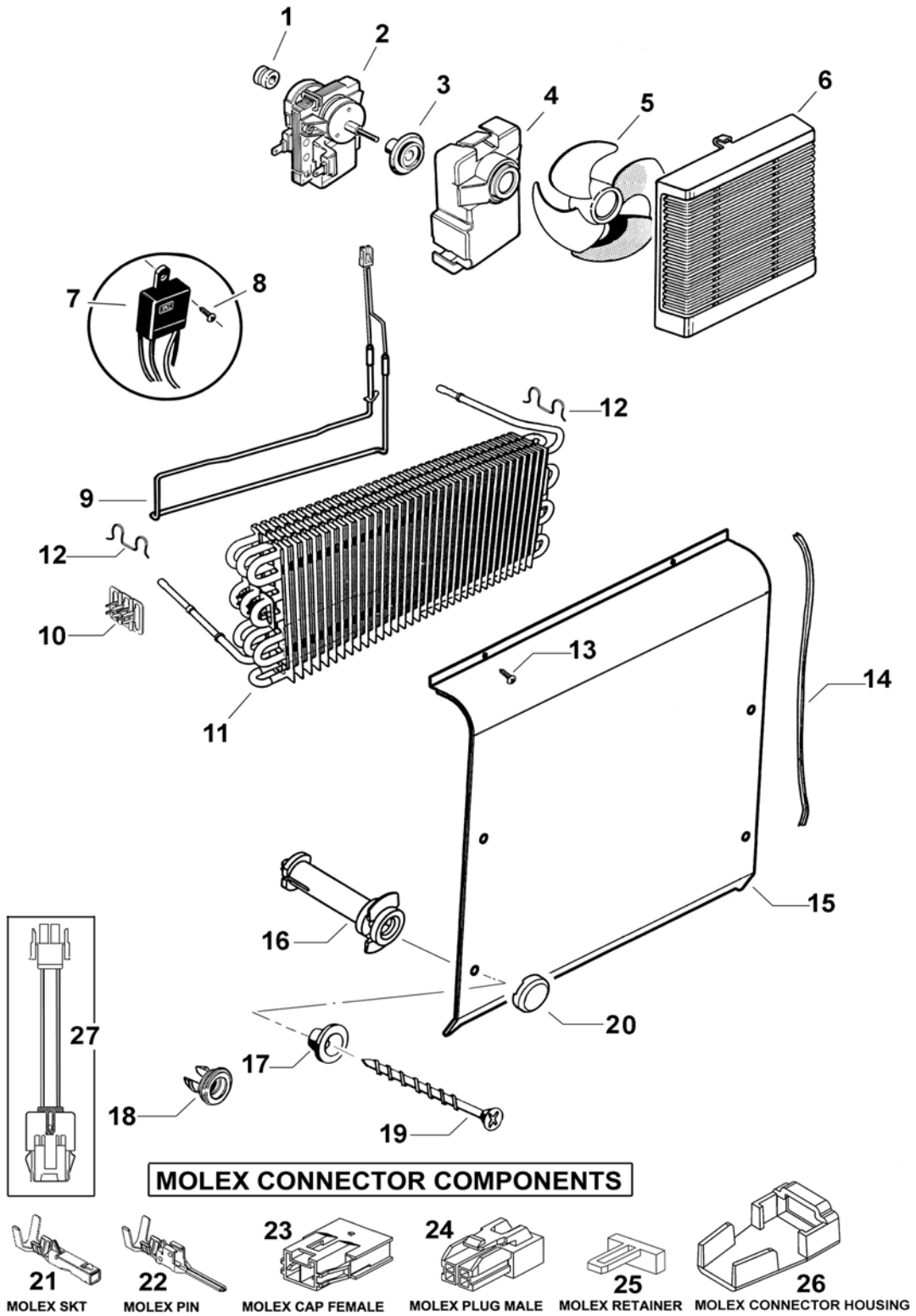
Basket Quantity, Size and position			
Model:	F310	N308	N388
	LARGE	MEDIUM	MEDIUM
	LARGE	LARGE	LARGE
	LARGE	MEDIUM	LARGE
	LARGE	MEDIUM	MEDIUM
	SMALL	SMALL	MEDIUM
			SMALL



## CABINET AND COMPONENTS

REF	PART	DESCRIPTION	MODEL
1	880490	COVER TOP HINGE WHITE	
	880681	COVER TOP HINGE SANDSTONE	
2	610312	SCREW MC M5X20 HEX PH MS ZNPL	
3	880526	BRACKET TOP HINGE ASSY	
4	882355	GASKET TOP HINGE	
5	881131	PLUG TAPPED HOLE WHITE	
	881132	PLUG TAPPED HOLE SANDSTONE	
6	873428	SHELF FC TOP 635B/VF WHITE	
7	882288	BASKET FC FF 635 N388,N308	
8	882289	BASKET FC CYCLIC 635B/VF	
9	882766	TRIM FC BASKET FRONT 635 WHITE	
10	882287	BASKET FC BOTTOM 635B/VF	
11	871504	TRIM CORNER WHITE	
	871503	TRIM CORNER SANDSTONE	
12	876888	RUNNER FC ASSY 635/790 B/VF LH	
	876889	RUNNER FC ASSY 635/790 B/VF RH	
13	876771	FILTER 'P' CATCHER DRAIN	
14	875203	COVER FC TRIM	
15	871017	PIN ROLLER PLATED	
16	871132	FOOT ROLLER	
17	315090P	KIT WHEEL BRACKET KIT	
	871017	<i>PIN ROLLER PLATED</i>	
	880545	<i>ROLLER FOOT FRONT</i>	
	881480	<i>CLIP WHEEL BRACKET</i>	
18	883328	CAP DOOR CLOSING RH	
	883329	CAP DOOR CLOSING LH	
19	881274	BRACKET BOTTOM HINGE RH	
	881277	BRACKET BOTTOM HINGE LH	
20	880620	BOLT BTTM HINGE BRKT	
21	880512	FOOT LEVELLING ASSEMBLY	
	880519	<i>BASE LEVELLING FOOT</i>	
22	872963	HOLDER ICE TRAY	
23	874108	TRAY ICE LID	
24	874107	TRAY ICE BASE	

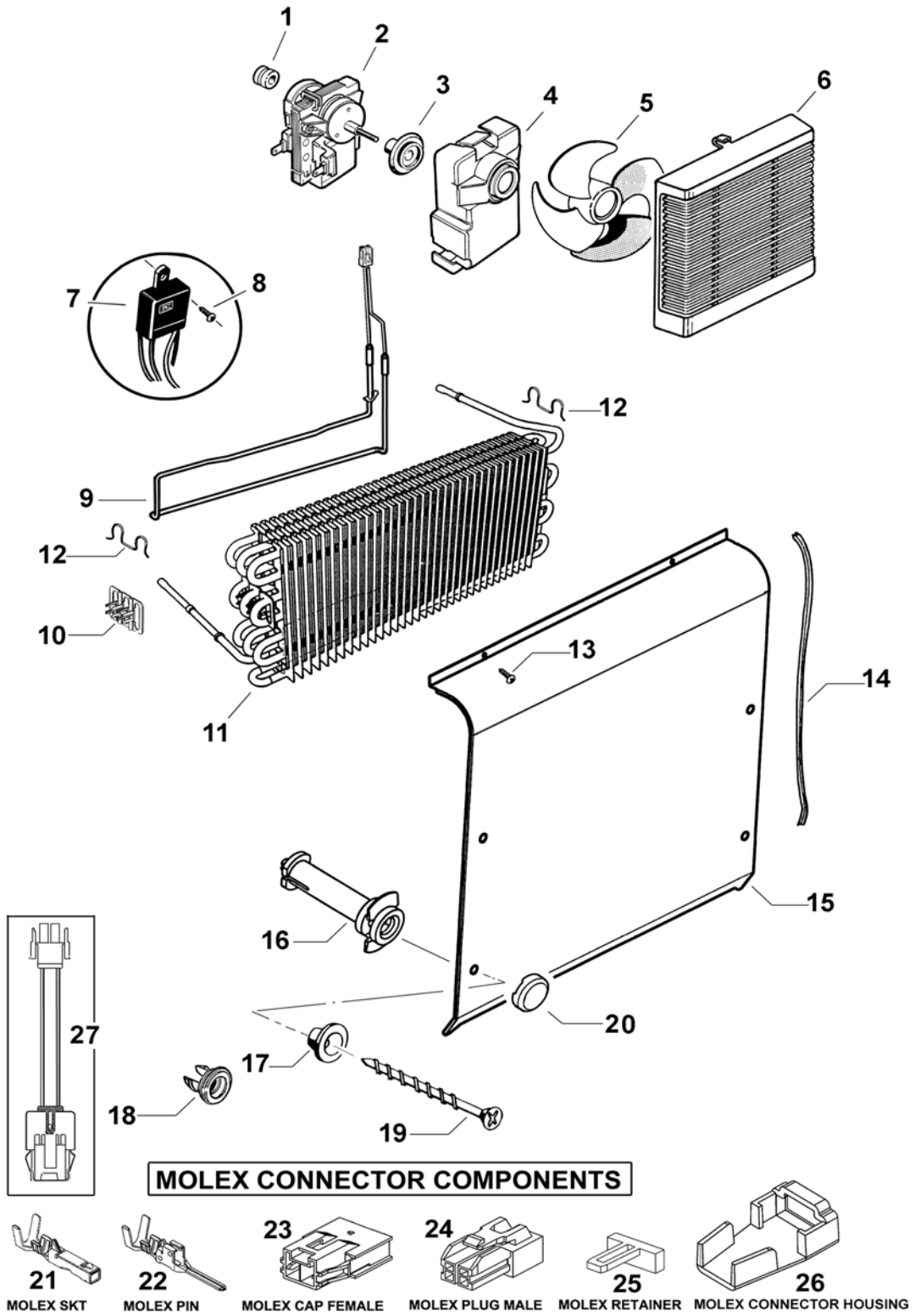
## FAN AND EVAPORATOR ASSEMBLY



## FAN AND EVAPORATOR ASSEMBLY

REF	PART	DESCRIPTION	MODEL
1	805432	GROMMET FAN MNTG N308 SMALL	
NI	881371	SEALANT FOAM TAPE, MOTOR-ANTI VIBRATION	
2	855102	MOTOR FAN MATSU 20MM SHAFT 240V	
	877731	MOTOR FAN MATSU 110V	
3	875256	GROMMET FAN MOUNTING	
4	* 883211	COVER FAN MOTOR-SCREW FASTENED	
NI	900475	SCREW 8 X 16 SP PAN NB ST ZP	
5	805428	FAN BLADE	
6	878464	COVER FAN FROST FREE	
7	855377P	HARNESS THERMOSTAT FC FF KIT	
	855060	KIT DEFROST T'STAT, FUSE & CON <b>100V</b>	
8	900376	SCREW 4X12MM AB MUSH PH ST ZP	
9	877219	<b>HEATER DEFROST (JOGGLED) 240V</b>	N308 2 Bank 25mm Fin Evap
	855387P <i>Includes 855404</i>	<b>HEATER DEFROST (JOGGLED) 240V</b> <b>HARNESS ADAPTOR DEFROST HEATER</b>	N308, N388, 3 Bank 20mm Fin Evap
	881148	<b>HEATER DEFROST (JOGGLED) 110V</b>	N308 2 Bank 25mm Fin Evap
	883899	<b>HEATER DEFROST(JOGGLED) 110V</b>	N308, N388, 3 Bank 20mm Fin Evap
	877918	<b>HEATER DEFROST (JOGGLED) 100V</b>	N308 2 Bank 25mm Fin Evap
	883898	<b>HEATER DEFROST (JOGGLED) 100V</b>	N308, N388, 3 Bank 20mm Fin Evap
10	871463	CLIP TUBE EVAP PLASTIC	
		<b>EVAPORATOR ASSY SERVICE KIT 220-240V</b>	
11	873374	EVAP ASSY 2 BANK 635 25MM FIN 220-240V	N308 2 Bank 25mm - Fin Evap
	<i>includes 871964</i>	<b>HARNESS DEFROST CONTROL VF</b>	
	<i>875151</i>	<b>CLIP SPRING CLAMP (2)</b>	
	<i>877219</i>	<b>HEATER DEFROST (JOGGLED) 240V</b>	
	* 855400P	EVAP ASSY 3 BANK 635 20MM FIN 220-240V	N308, N388, 3 Bank- 20mm Fin Evap
	<i>855404</i>	<b>HARNESS ADAPTOR DEFROST HEATER</b>	
	<i>includes 871463</i>	<b>CLIP TUBE EVAP PLASTIC (2)</b>	
	<i>878475</i>	<b>CLIP EVAPCOVER WASHER (4)</b>	
	<i>878532</i>	<b>BRACKET EVAP &amp; EVAP COVER SUPPORT (4)</b>	
	<i>855387</i>	<b>HEATER DEFROST (JOGGLED) 220-240V</b>	
	<i>884057</i>	<b>LEAFLET INSTALLATION INSTRUCT N308 RETROFIT</b>	

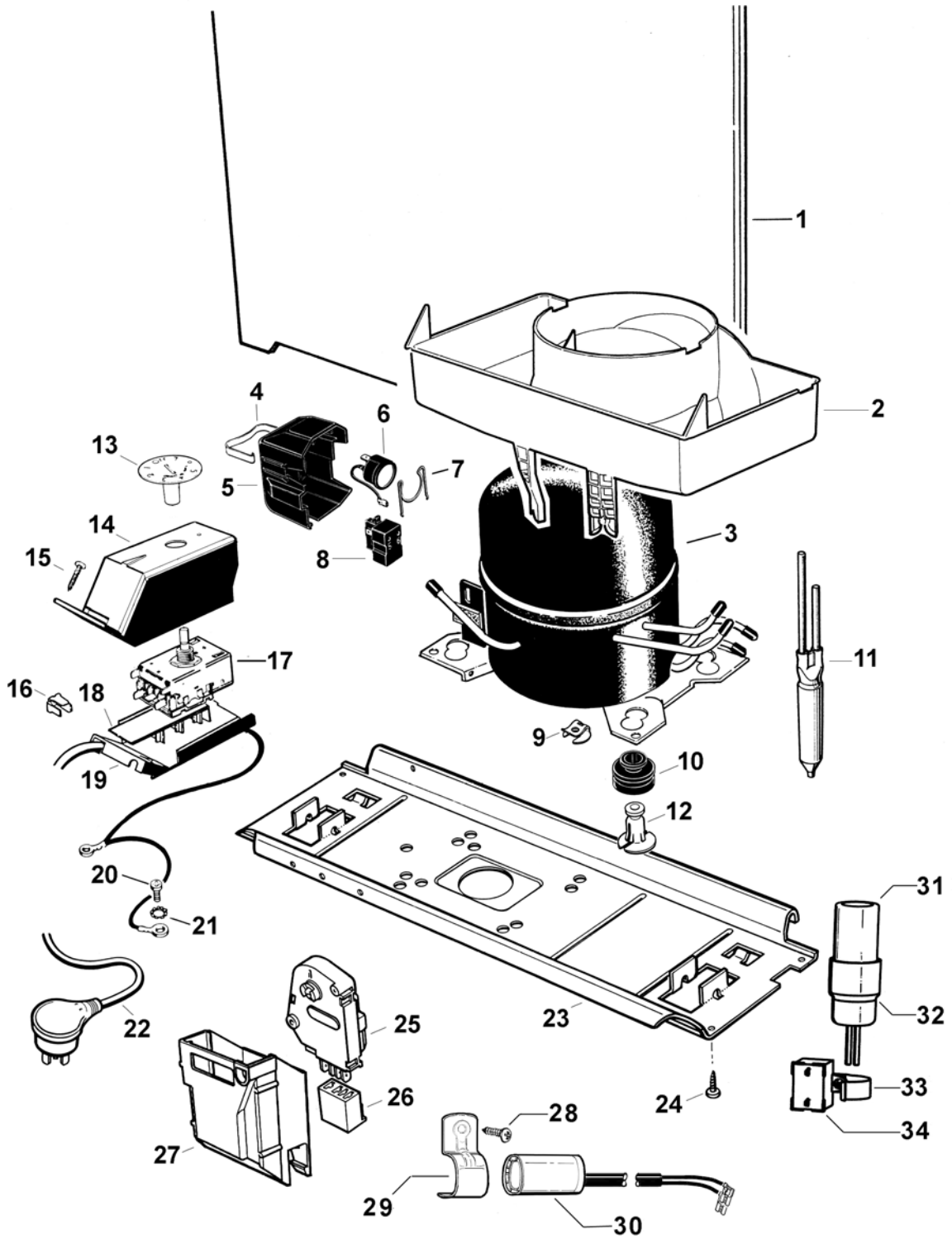
# FAN AND EVAPORATOR ASSEMBLY



## FAN AND EVAPORATOR ASSEMBLY

REF	PART	DESCRIPTION	MODEL
		<b><u>EVAPORATOR ASSY SERVICE KIT 110-115V</u></b>	
11	873359	EVAP ASSY 2 BANK 635 25MM FIN 110-115V	N308 2 Bank 25mm -
	<i>Includes 875150</i>	CLIP SPRING DEFROST TERMINATION CONTROL	Fin Evap
	875151	CLIP SPRING CLAMP (2)	
	881148	HEATER DEFROST (JOGGLED) 110V	
*	320557P	EVAP ASSY 3 BANK 635 20MM FIN 110-115V	N308, N388, 3 Bank-
	<i>includes 871463</i>	CLIP TUBE EVAP PLASTIC	20mm Fin
	878475	CLIP EVAP COVER WASHER (4)	
	878532	BRACKET EVAP & EVAP COVER SUPPORT (4)	
	883899	HEATER DEFROST (JOGGLED) 635VF 110V	
	884057	LEAFLET INSTALLATION INSTRUCT N308 RETROFIT	
		<b><u>EVAPORATOR ASSY SERVICE KIT 100V</u></b>	
11	877917	EVAP ASSY 2 BANK 635 25MM FIN 100V	N308 2 Bank 25mm -
	<i>Includes 875150</i>	CLIP SPRING DEFROST TERMINATION CONTROL	Fin Evap
	875151	CLIP SPRING CLAMP (2)	
	877918	HEATER DEFROST (JOGGLED) 100V	
*	320556P	EVAP ASSY 3 BANK 635 20MM FIN 100V	N308, N388, 3 Bank-
	<i>includes 871463</i>	CLIP TUBE EVAP PLASTIC	20mm Fin
	878475	CLIP EVAP COVER WASHER (4)	
	878532	BRACKET EVAP & EVAP COVER SUPPORT (4)	
	883898	HEATER DEFROST (JOGGLED) 635VF 100V	
	884057	LEAFLET INSTALLATION INSTRUCT N308 RETROFIT	
12	875151	CLIP SPRING EVAP CLAMP	
13	SP0056P	SCREW 8X12 TAB PAN PH SS PKT10	
14	871511	GASKET EVAPORATOR COVER F/F	N308
	878596	GASKET EVAP COVER 635FF VF N388	N388
15	873167	COVER (4 HOLE) EVAP COIL N308	N308
	878568	COVER (2 HOLE) EVAP COIL 635FF VF N388	N308, N388, 3 Bank 20mm Fin
16	874935	BRACKET EVAP & EVAP COVER SUPPORT	N308
	878532	BRACKET EVAP & EVAP COVER SUPPORT	N308, N388, 3 Bank 20mm Fin
17	871174	WASHER EVAP COVER	N308
18	878475	CLIP WASHER EVAP COVER	N308, N388, 3 Bank 20mm Fin
19	SP0207	SCREW 10X75 SCREWFAS CSK PH	
20	878483	COVER EVAP SCREW	
		<b>MOLEX CONNECTOR COMPONENTS</b>	
21	881595	SOCKET 16-22AWG 50597-8100 MLX	
22	881597	PIN 16-22AWG 50599-8100 MLX	
23	881592	CAP FEMALE 51139-0200 MLX	
24	881593	PLUG MALE 51138-0200 MLX	
25	881594	RETAINER 51140-0205 MLX	
26	855384	HOUSING CONNECTOR MLX	
27	855404	HARNESS ADAPTOR DEFROST HEAER	

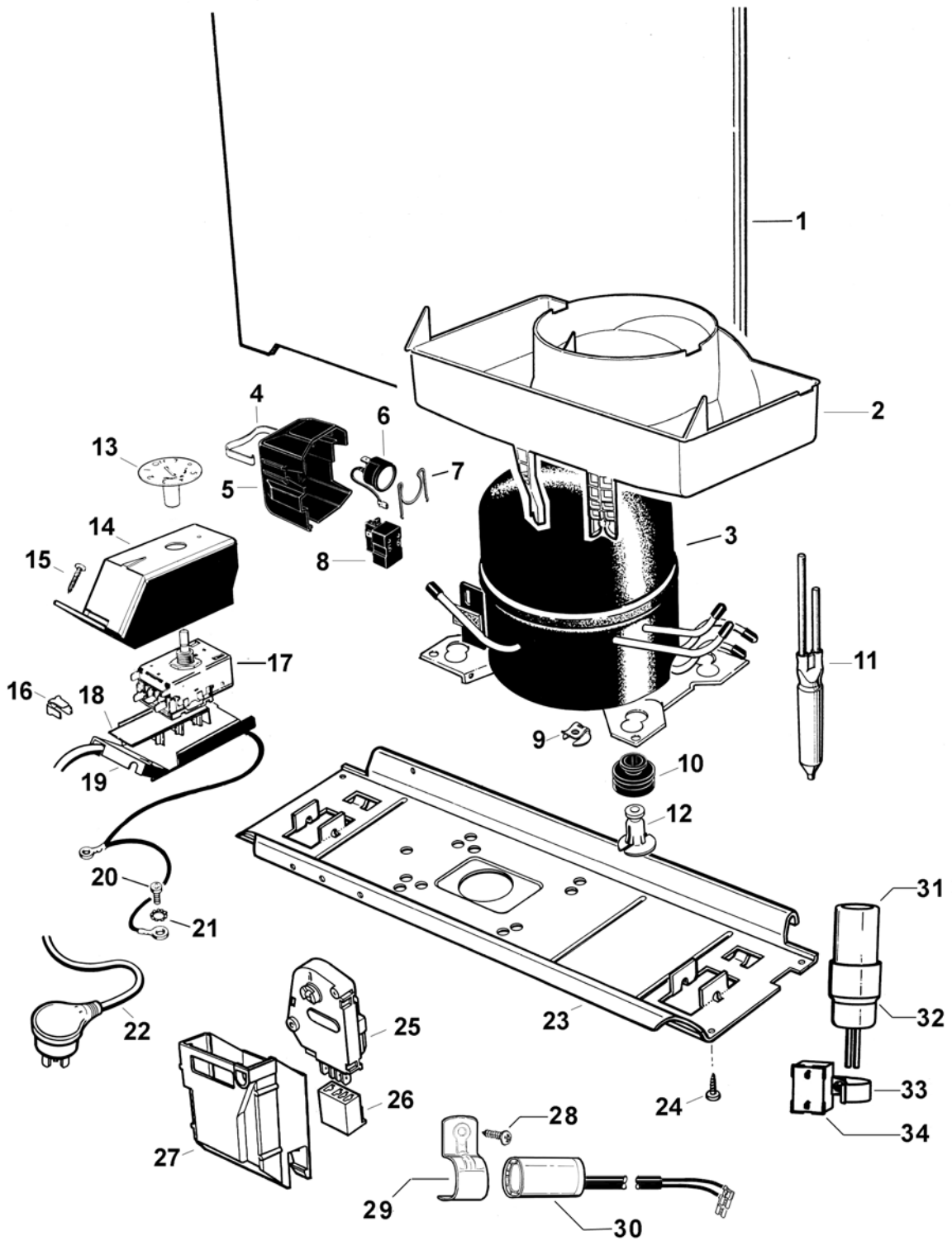
# COMPRESSOR AND BACK PANEL



## COMPRESSOR AND BACK PANEL

REF	PART	DESCRIPTION	MODEL
1	874879	PANEL BACK ASSY C370, C335T	F310, N308
	874881	PANEL BACK ASSY 400H,395B,N388	N388
2	872349	TRAY WATER EVAP TOP HAT MOULD	
	876653	TRAY WATER EVAPORATOR NOTCHED	
3	209770P	COMPR EMB FGS70HAW <b>220 240V 50/60HZ</b>	F310, N308
	209674	CLIP O/LOAD 01-246801	Phillipines
	209890	O/LOAD COMPR 189NFBYY FGS70	
	209993	RELAY PTC EMBRACO 8EA 503	
	209995	PROTECTOR COVER EMBRACO	
	209996	RETAINER CABLE EMBRACO	
	502173	FILTER DRIER 12 GR DUAL BRAZED	
	872838	GROMMET COMPRESSOR MOUNTING	
	209796P	COMPR PKD EMD EMB FGS80 <b>110 115V 60HZ</b>	N308
	209674	CLIP O/LOAD 01-246801	Taiwan
	209696	OVERLOAD EMB 115V60H 4TM319RFB	
	209715	RELAY PTC EMB 8EA-103 115V60HZ	
	209995	PROTECTOR COVER EMBRACO	
	209996	RETAINER CABLE EMBRACO	
	502173	FILTER DRIER 12 GR DUAL BRAZED	
	872838	GROMMET COMPRESSOR MOUNTING	
	209942P	COMPR PKD NAT D91C18TA <b>100V 50/60HZ</b>	F310, N308
	209672	COVER PROTECTOR NA COMPRESSOR	Japan
	209673	CLAMP PROTECTOR COVER MAT	
	209674	CLIP O/LOAD 01-246801	
	209955	O/LOAD 06-266210 100V	
	209957	CAPACITOR RUN 15MF 210V	
	209959	CAPACITOR START 100UF160V06-58	
	209991	RELAY PTC 'D' MM8-5BBQ10M 100V	
	502173	FILTER DRIER 12 GR DUAL BRAZED	
	872838	GROMMET COMPRESSOR MOUNTING	
	209492P	COMPRESSOR PKD MAT DB77C14R 230-240V 50Hz	N308, F310
	209078	COVER PROTECTOR COMPRESSOR MAT	NZ, Aust, Pacific,
	209083	O/LOAD MM3-18GCF	Asia, Phillipines
	209673	CLAMP PROTECTOR COVER MAT	French Territories
	209674	CLIP O/LOAD 01-246801	
	209988	RELAY PTC D SERIES MM8-5DDT33M	
	502173	FILTER DRIER 12 GR DUAL BRAZED	
	872838	GROMMET COMPRESSOR MOUNTING	
	209949P	COMPR NA D110C21RAZ5 220 240V 50HZ	N388
	209669	O/LOAD MM3-26GCF 06-261731	NZ, Aust
	209672	COVER PROTECTOR NA COMPRESSOR	
	209673	CLAMP PROTECTOR COVER MAT	
	209674	CLIP O/LOAD 01-246801	
	209988	RELAY PTC D SERIES MM8-5DDT33M	
	502173	FILTER DRIER 12 GR DUAL BRAZED	
	872838	GROMMET COMPRESSOR MOUNTING	

# COMPRESSOR AND BACK PANEL





**COMPRESSOR AND BACK PANEL**

REF	PART	DESCRIPTION	MODEL
4	209673	CLAMP PROTECTOR COVER MAT	
5	209078	COVER PROTECTOR COMPRESSOR MAT	
	209672	COVER PROTECTOR NA COMPRESSOR	
	209995	PROTECTOR COVER EMBRACO	
6	209083	OVERLOAD MM3-18GCF	
	209669	O/LOAD MM3-26GCF 06-261731 240V	
	209696	OVERLOAD EMB 4TM319RFBYY 115V 60H	
7	209674	CLIP O/LOAD 01-246801	
8	209715	RELAY PTC EMB 8EA-103 115V 60HZ	
	209988	RELAY PTC MM8-5DDT33M 240V	
	209993	RELAY PTC EMBRACO 8EA 503 240V	
9	855270	CLIP COMPRESSOR MOUNTING	
10	872838	GROMMET COMPRESSOR MOUNTING	
11	502173	FILTER DRIER 12 GR DUAL BRAZED	
12	850265	PIN COMPRESSOR MOUNTING	
13	872339	KNOB CONTROL	
14	872575	COVER TERMINAL BOX VF	
15	SP0006	SCREW 8X20 AB PAN PHIL ST ZP	
16	874338	TERMINAL 3WAY	
17	883709P	CONTROL DANFOSS 077B2244	
18	874950	INSULATOR TERMINAL BLOCK	
19	875116	BASE TERMINAL BLOCK	
20	900377	SCREW #8X32 X8 TYPE 23 PAN PH ZP	
21	900101	WASHER LOCK NO 10 EXT SP ZP	
22	855274	CABLE SUPPLY EUROPE 230V	
	855275	CABLE SUPPLY TAIWAN 110V	
	884335	CORD POWER SUPPLY 220-240V VF (Insulated Pins)	
	877641	CORD SUPPLY .PHILLIPINES 220V	
	873356	CORD SUPPLY ASIA 230V (FUSED)	
23	878487	TRAY COMP MOUNTING 635	
24	901525	SCREW 8X16 PAN NIB STZP PHOS C	
25	873253P	TIMER DEFROST PARAGON 12HR 240	N308, N388
	873254P	TIMER DEFROST 110V PARAGON 12H	N308, Taiwan
26	805422	HOUSING RECEPT TIMER DEFROST	
27	855244	BRACKET DEFROST TIMER MOULDED	
	875433	BRACKET TIMER METAL	
28	SP0201P	SCREW 8X12 PAN PH NIB PKT10	
29	882420	BRACKET HALF SADDLE 25MM	
30	207057	CAPACITOR RUN 4MF 400V	N308, Phillipines
31	209959	CAPACITOR START 100UF 160V06-58	F310, N308
32	209905	COVER CAPACITOR 26MM 36MM	Japan
33	815536	RETAINER CAPACITOR START	
34	209957	CAPACITOR RUN 15UF 210VAC 0626	
		<u>PARTS NOT ILLUSTRATED</u>	
	209996	RETAINER CABLE EMBRACO	
	870637	TUBE SUCTION & CAP ASSY GREEN TAPE	N308, N388
	876989	TUBE SUCTION & CAP ASSY BLACK TAPE	F310



## NOTES

### DOOR ASSEMBLY

#### Notes

- 5 All integral door assemblies supplied as spare parts will NOT include the push in type door gasket
- 8 Prior To Serial Number AKR 208492 Use Part 880654. From Serial Number AKR 208492 Use Part SP0008

### FAN AND EVAPORATOR ASSEMBLY

#### Technical Bulletins

- 883211 RF024
- 320554P RF042 (20mm Evaporator introduction)
- 320557P RF042
- 320556P RF042
- 855400P RF043 Replaces 320554P, now includes Adaptor Harness (Standards Update)

## REFRIGERATION ABBREVIATION KEY

<b>PC</b>	<b>PROVISION COMPARTMENT</b>
<b>FC</b>	<b>FREEZER COMPARTMENT</b>
<b>HCL</b>	<b>HUMIDITY CONTROL LID</b>
<b>HC</b>	<b>HUMIDITY COMPARTMENT</b>
<b>HS</b>	<b>HOT STAMPED</b>
<b>X/RAIL</b>	<b>CROSS RAIL</b>
<b>BC</b>	<b>BUTTER CONDITIONER</b>
<b>BS</b>	<b>“B” SERIES CABINET</b>
<b>CH</b>	<b>CHARCOAL COLOUR</b>
<b>CL GY</b>	<b>COOL GREY COLOUR</b>
<b>LT GY</b>	<b>LIGHT GREY</b>
<b>MD GY</b>	<b>MID GREY</b>
<b>DK GY</b>	<b>DARK GREY</b>
<b>SATIN OR SC</b>	<b>SATIN CHROME FINISH</b>
<b>SA</b>	<b>SANDSTONE COLOUR</b>
<b>SS</b>	<b>STAINLESS STEEL</b>
<b>SL or SIL</b>	<b>SILVER</b>
<b>HAN P/C</b>	<b>HANDLE POWDER COATED</b>
<b>F&amp;P</b>	<b>FISHER &amp; PAYKEL</b>
<b>PUSHIN</b>	<b>PUSHIN TYPE GASKET</b>
<b>LH</b>	<b>LEFT HAND</b>
<b>RH</b>	<b>RIGHT HAND</b>
<b>LHT</b>	<b>LEFT HAND TOP</b>
<b>RHT</b>	<b>RIGHT HAND TOP</b>
<b>LHB</b>	<b>LEFT HAND BOTTOM</b>
<b>RHB</b>	<b>RIGHT HAND BOTTOM</b>
<b>SML</b>	<b>SMALL</b>
<b>DC</b>	<b>DIRECT CURRENT</b>
<b>10W</b>	<b>10 WATTS</b>
<b>12V</b>	<b>12 VOLTS</b>
<b>XH9</b>	<b>TYPE OF DESSICANT WITHIN A FILTER DRIER</b>
<b>M5</b>	<b>5 MILLIMETER</b>